

# QUICK START GUIDE



ELAC DISCOVERY SERVER  
DS-S101-G

# Table of Contents

1. What's in the box
2. Connections
3. Installing the Remote App
4. Navigating the Remote App
5. Getting the most out of your Discovery Server

# What's in the box

- Discovery Music Server (DS-S101-G)
- Power Supply
- Quick Setup Guide
- 1 Meter Ethernet Cable

# Requirements

## 1. Discovery Music Server

: DS-S101-G

## 2. Wired Internet Connection

: This connects the Discovery Music server to the internet and your home network

## 3. iPad, Android Tablet, Windows PC, Macintosh PC

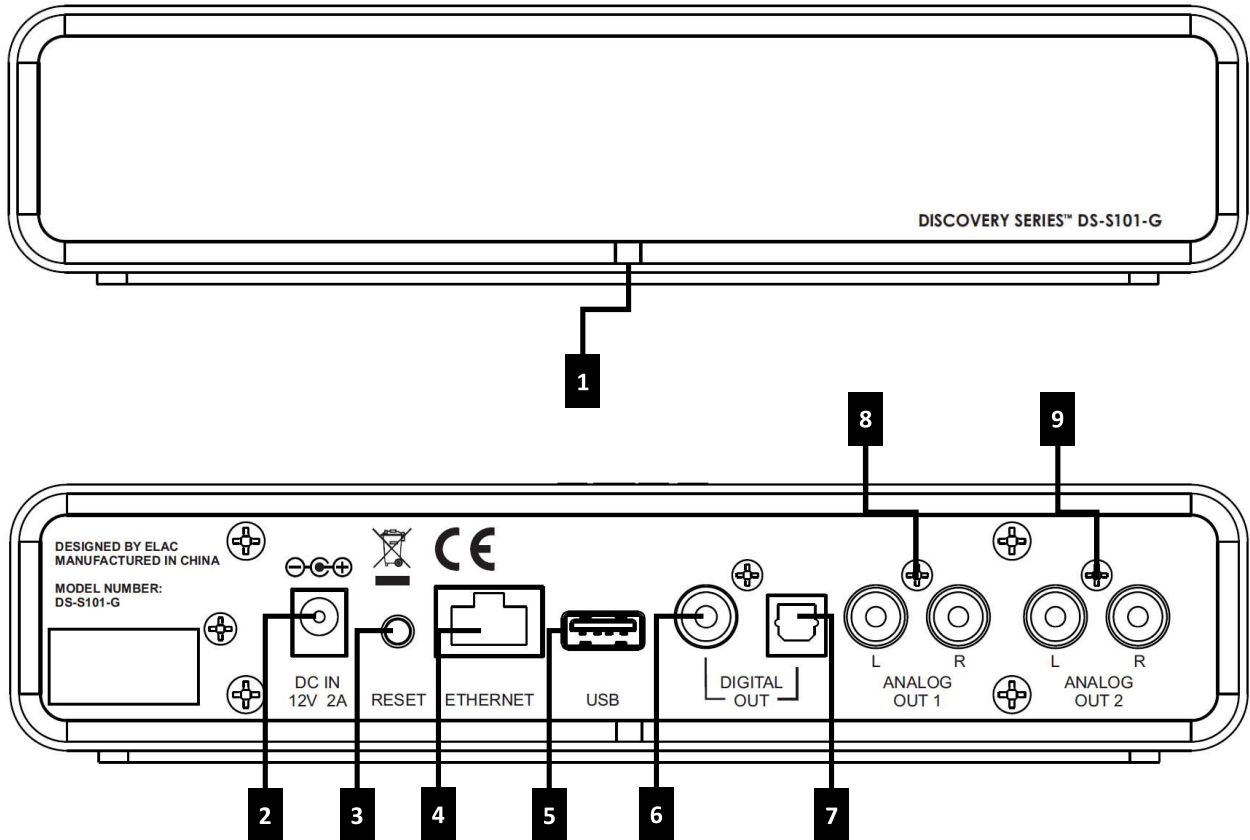
: These devices will act as the display and remote control for the server

- iPad Air, iPad Air 2, iPad Mini 2, iPad Mini 3, iPad Mini 4, iPad Pro
- Android Tablet (Android 4.4 or higher)
- Windows 7, 8, or 10
- Macintosh PC (OS X 10.8 or higher)

## 4. Roon Essentials Remote App

: The remote app for Windows and OS X can be downloaded from [www.roonessentials.com](http://www.roonessentials.com). The remote app for Android and iOS can be found in their respective online app stores.

# Front & Rear panel

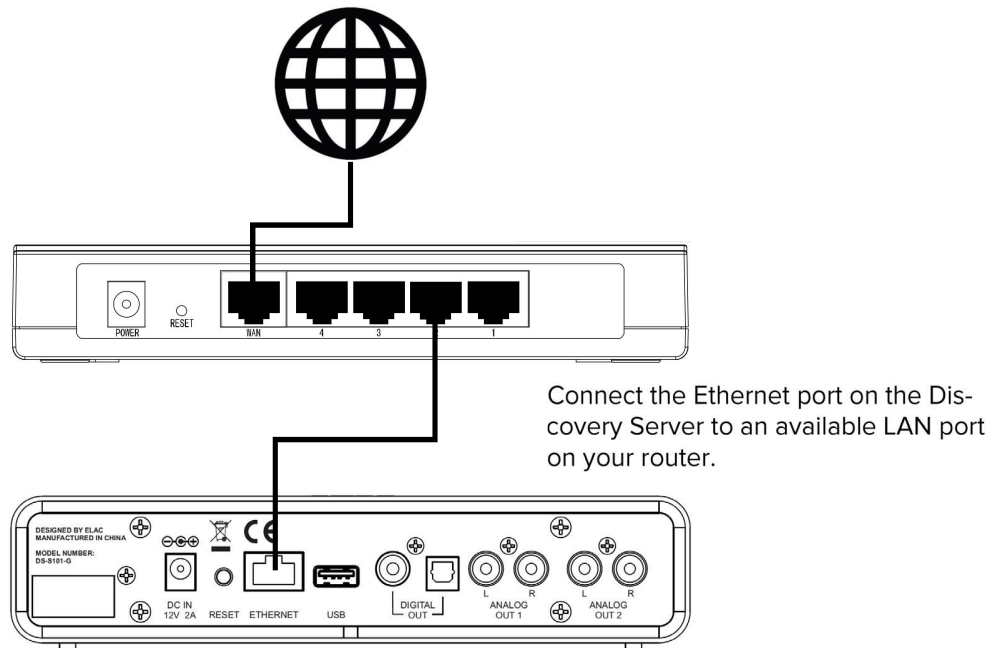


- |   |   |   |                              |
|---|---|---|------------------------------|
| 1 | POWER INDICATOR LED<br>- Illuminates when power is on | 6 | COAXIAL DIGITAL OUT—(page 7) |
| 2 | POWER INPUT— (page 8)                                 | 7 | OPTICAL DIGITAL OUT—(page 7) |
| 3 | RESET SWITCH—(page 9)                                 | 8 | ANALOG OUT 1—(page 7)        |
| 4 | ETHERNET JACK—(page 5)                                | 9 | ANALOG OUT 2—(page 7)        |
| 5 | USB 2.0 PORT (Page 5)                                 |   |                              |

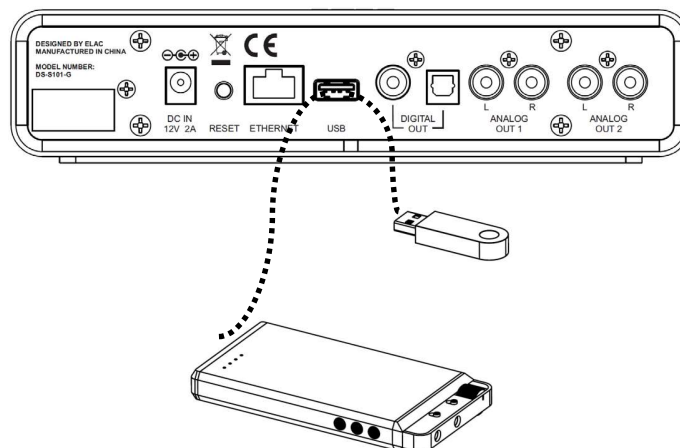
# Connections

## Connecting to the internet / home network

By connecting the Discovery unit to your home network via a LAN cable you will be able to access music on a connected NAS (Networked Attached Storage) device as well as access music from the Tidal Music service (Separate subscription required)



## Connecting a USB HDD or Flash Drive



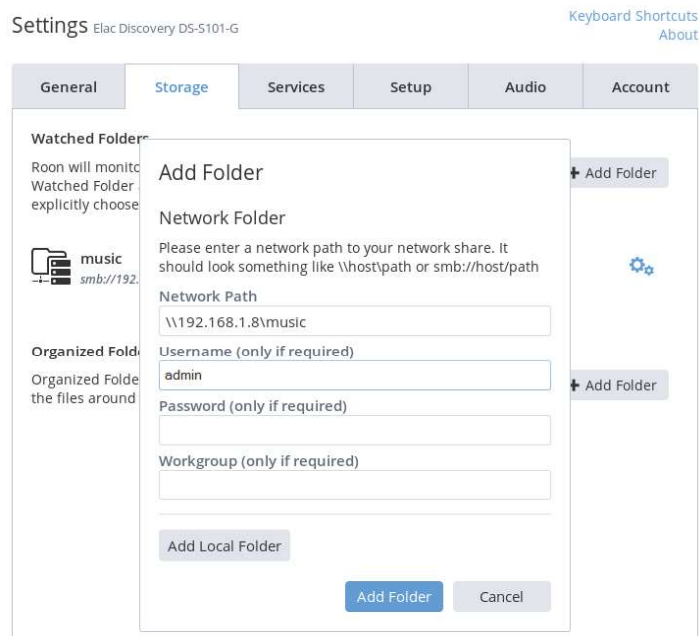
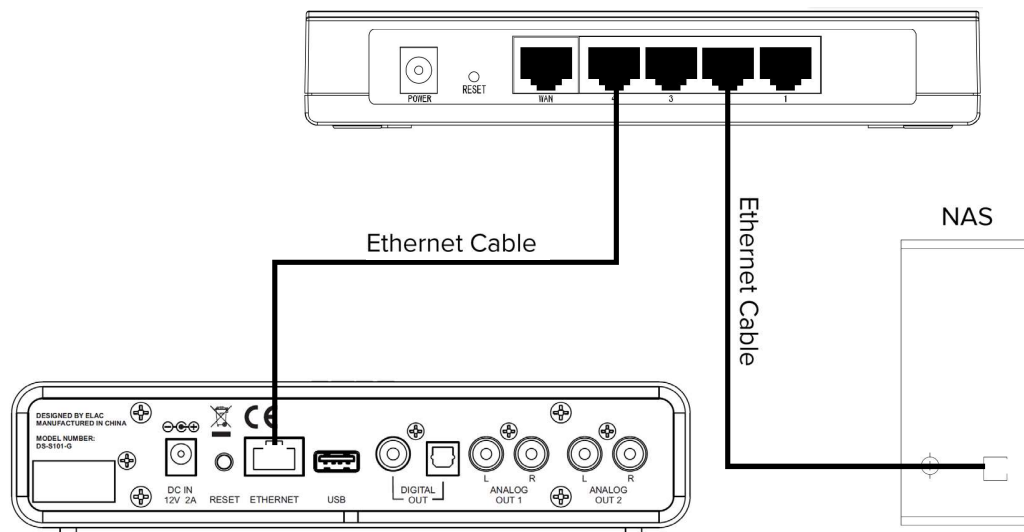
To connect a USB Hard Drive or flash drive containing your music content to the Discovery Server, simply plug the Flash Drive or Hard Drive to the USB port on the back of the Discovery Server.

**NOTE:** When connecting a HDD with a large music library, the user interface may react slowly while all of the meta data is being downloaded and organized. A small rotating circle will appear in the upper right part of the app during this process.

# Connections

## Connecting a NAS (Networked Attached Storage)

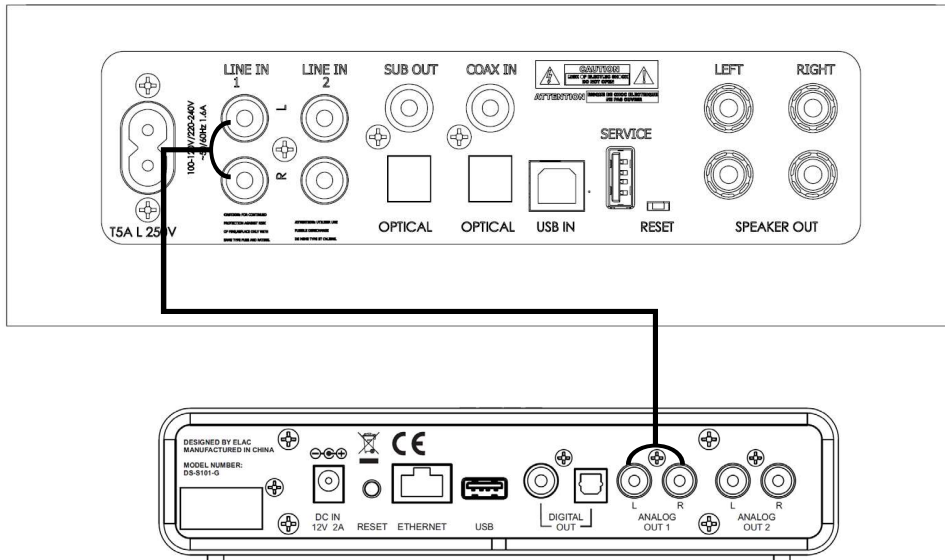
A NAS is a great way to store your personal music collection. Simply connect your NAS to your home network (Connect via Ethernet to your router) and then point the Remote application to the NAS location.



In the remote app select Menu -> Settings -> Storage. Click on Add Folder and enter the address location of your NAS Music collection. The exact setup information will vary based on the brand of NAS and router you own. Please refer to the instructions that came with your NAS device for exact instructions.

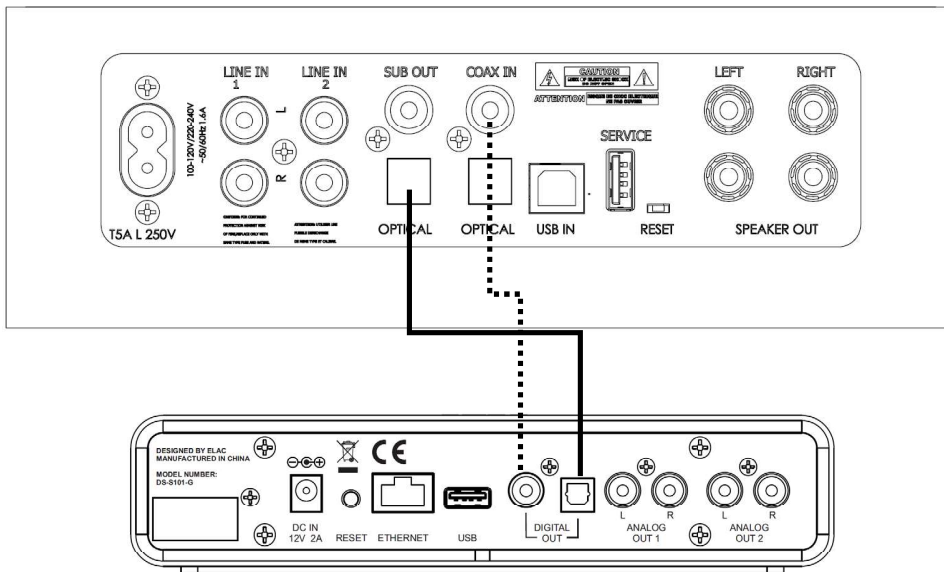
# Connections

## Analog Audio Output Connections



To use the analog outputs from the Discovery Music Server connect a set of RCA cables (not supplied) from either Analog Out 1 or 2 to an open set of Analog inputs on your receiver/pre-amp/integrated amplifier. Make sure to select the correct Analog out from the remote app. (See page 10 for selecting audio output)

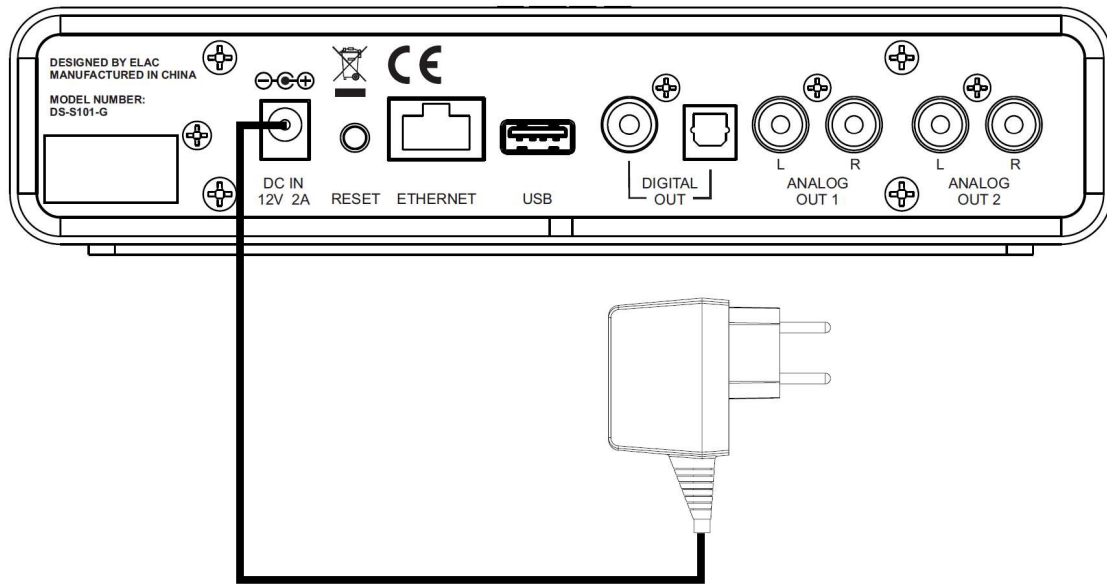
## Digital Audio Output Connections



To use a digital output from the Discovery Music Server connect a coaxial or optical cable (not supplied) from either digital Out to an open digital input on your receiver/pre-amp/integrated amplifier. Make sure to select the digital output from the remote app. (See page 10 for selecting audio output)

# Connections

## Connecting Power



After you have connected the Discovery Server to your home network and connected either the analog or digital audio outputs use the supplied AC adapter and connect the round DC connector to the DC Input of the Discovery and the other end into an available wall socket.



# Installing Roon Essentials Remote App

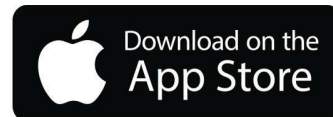
## Download the App

To get started with the Discovery Music server you will need to download the Roon Essentials Remote app. This application acts as the remote control and user interface for the server. The app is available for Windows (7, 8, and 10), Macintosh (OS X 10.8 or higher), Android Tablets (Android 4.4 with 8" screen or larger), and iPad (iPad Air 1, iPad Air 2, iPad Mini 2,3,4, and iPad Pro).

You can download the Windows and Mac OS X versions at [www.roonessentials.com](http://www.roonessentials.com)

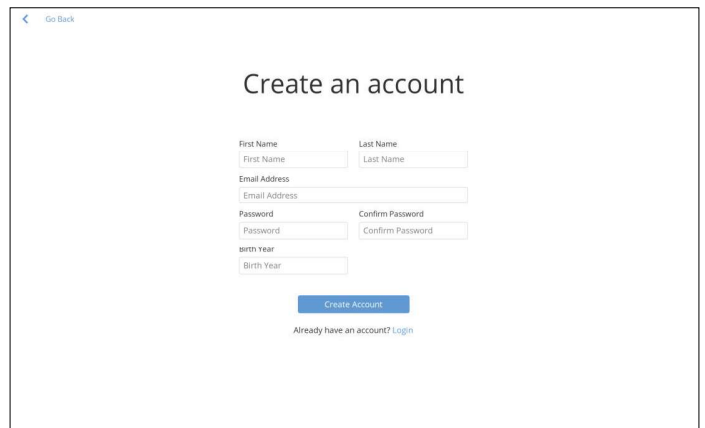
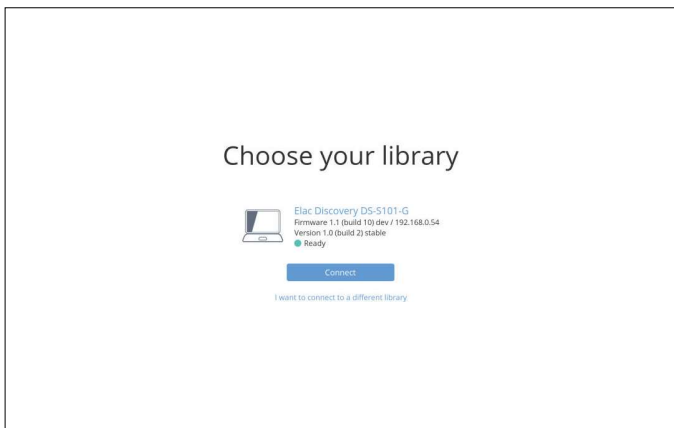
The Android version can be downloaded from the Google Play store

The iOS version can be downloaded from the Apple App Store.



## Register your Discovery

The first time you launch the remote app you will be presented with a product registration screen. Please follow the on-screen instructions to finish the setup process.



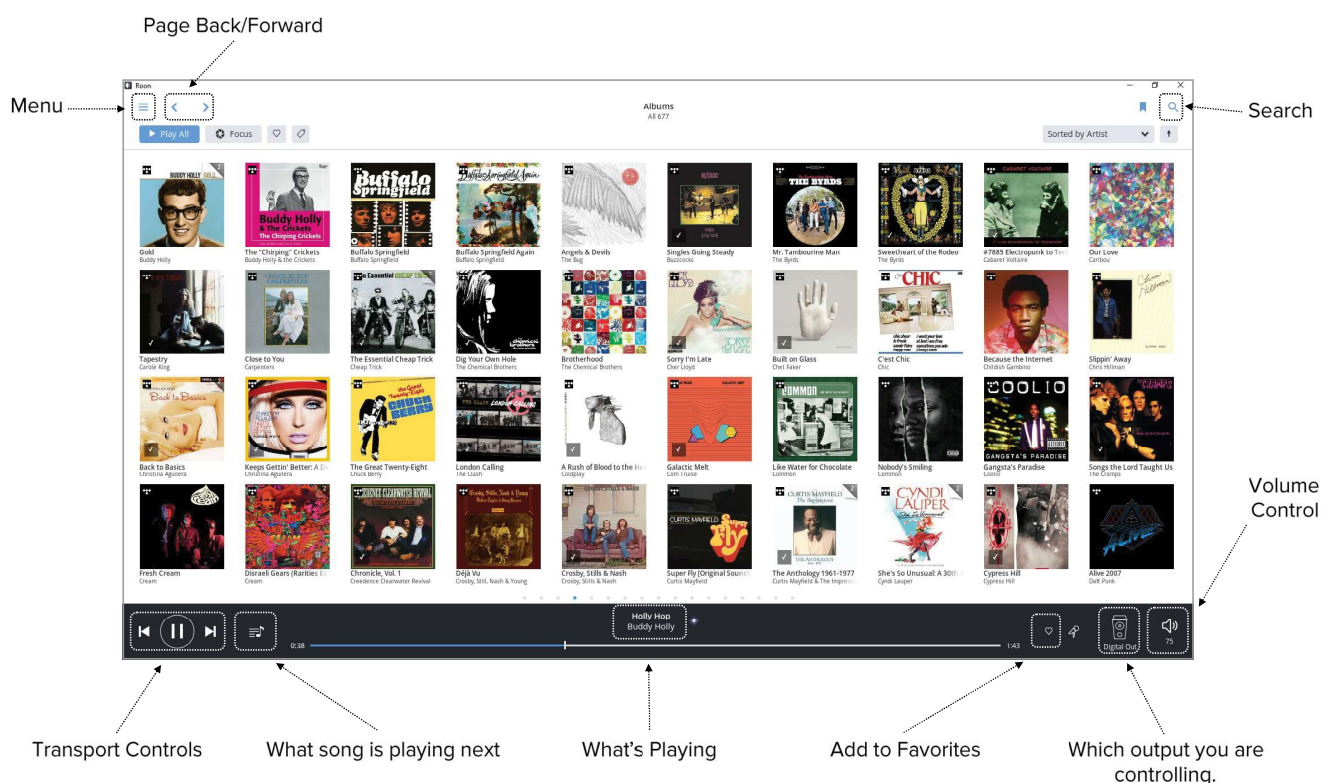
## Power Cycling & Resetting the Discovery Server

In the unlikely event that Discovery Music Server becomes unresponsive you can first try cycling the power by unplugging the power supply, waiting 5 seconds and reapply power.

If the above procedure does not resolve the problem please follow the steps below to fully reset the Discovery Server to its factory state. Please note that this procedure will erase all meta-data and settings stored in the server. Your content will need to be rescanned.

1. Unplug Power from the rear of the Discovery
2. Press and hold the reset button on the rear of the unit while reconnecting power to the unit. After 3 seconds release the reset button.
3. The front LED will cycle through a sequence of on, off, or flashing. Once the front LED remains on the unit has been restored.

# Navigating the Remote App



# Getting the most out of your Discovery Server

The Discovery Music Server provides an exciting new way to enjoy and discover music. With its many unique features we suggest you visit our website at [www.elac.com/discovery](http://www.elac.com/discovery) to learn more about the Discovery Music Servers great features.

Have a question regarding setup or support for the Discovery Music Server? Please visit our online support forums at [www.elac.com/forums](http://www.elac.com/forums)



# Specifications

## Discovery Specifications and Disclaimers

### CONNECTIONS

Analog outputs (independent zones): 2  
Coaxial output (independent zone): 1 (192kHz 24-Bit Max)  
Optical output: 1 (192kHz 24-Bit Max)  
USB port (mass storage class): 1 USB 2.0  
Ethernet port: 1 Gigabit Ethernet

### END POINT SUPPORT

Discovery  
AirPlay  
Room Ready Endpoints

### CONTROL & USER INTERFACE

ROOM Essentials Control app: For iOS (64-bit Devices), Android (4.4 and higher), Windows (7, 8, and 10) and Apple OSX (10.8 and higher)

### FORMAT SUPPORT

Supported Audio Formats: WAV, AIFF, FLAC, ALAC, OGG, MP3, AAC  
192kHz 24-Bit Audio Formats: WAV, AIFF, FLAC, ALAC  
Native Support for TOSLINK/COAX: 24kHz – 192kHz

INTEGRATED STREAMING SERVICES: Tidal

### PLAYBACK MODES

Gapless, Crossfade, Shuffle, and Repeat

### MULTI-ROOM SUPPORT

Type: Wired and Wireless  
Synchronized Audio: Yes

TRACK LIMIT: 15,000 Tracks

### POWER SUPPLY & CONSUMPTION

Power Supply: 12VDC 2A  
Power Consumption Normal Operation: 4.8 Watts

### DIMENSIONS & WEIGHT

Dimensions (WxHxD): 8-1/4" x 1-7/8" x 4-5/16"  
Weight: 2lbs

NOTE: The Discovery can be controlled using the free Room Essentials app for Windows, OS X, iOS, and Android.

Preliminary information. All specifications subject to change.

### Disclaimers and Legal Information

Room  
Copyright 2016 Room Labs LLC

Tidal  
Copyright 2016 Aspiro Music AS. All Rights Reserved

ELAC  
Copyright 2016 ELAC GMBH

Third Party content services may be changed, suspended, interrupted, or discontinued at any time without notice, and ELAC disclaims any liability in connection with such occurrences.

iOS™ and iPhone™ are registered trademarks of Cisco Systems, Inc., USA, licensed to Apple Inc., USA.  
Android™ is a registered trademark of Google Inc., USA.



ELAC AMERICAS LLC.  
11145 KNOTT AVE. SUITES E & F  
CYPRESS, CA. 90630

ELAC ELECTROACUSTIC GMBH  
REINDSBURGER LANDSTRASSE 215  
D-24113 KIEL GERMANY



ELAC AMERICAS LLC.  
11145 KNOTT AVE. SUITES E & F  
CYPRESS, CA. 90630

ELAC ELECTROACUSTIC GMBH  
REINDSBURGER LANDSTRASSE 215  
D-24113 KIEL GERMANY

**ELAC** The life of sound.



One component, infinite sound.

Discovery Music Server DS-S101

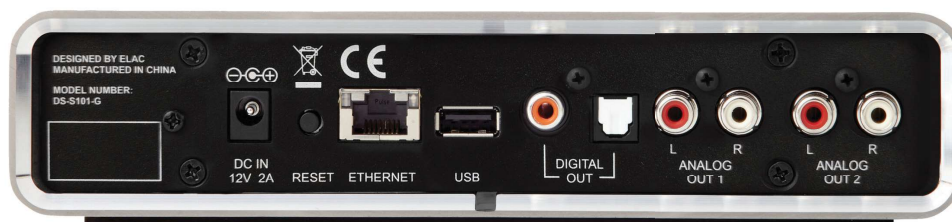


Discover the world of computer audio without the computer.

The Discovery Music Server solves one of the biggest hurdles in computer audio: the computer. And it offers the power of a full music server without the need for a laptop or desktop computer. Enjoy local and streaming music, rich multi-dimensional metadata and multi-room audio—with support for multiple synchronized zones—all with the Roon® Essentials interface that anyone can master in a few minutes.

[ELAC.com](http://ELAC.com)

# ELAC The life of sound.



## Discovery Music Server DS-S101

Discover the world of computer audio without the computer.

Keeping in line with quality music, the lossless, high-fidelity music streaming service Tidal® has been tightly integrated into the Discovery's software\*. Content from your local collection and content from Tidal are presented in the same beautiful, easy-to-use interface.

Adding the Discovery Music Server to an existing system is simple. Connect the Discovery Server to the internet and one of the outputs to the new Discovery integrated amplifier or your existing system. Navigating your local and online music collection is performed with the Discovery Room Essentials App available for Android, iOS, Windows, and OSX.

Adding your personal music collection is a snap. Connect either a hard drive to the rear mounted USB port or point the Discovery to your NAS (Networked Attached Storage) device and the Discovery will take care of the rest, organizing and gathering feature rich meta-data for your entire music collection.

Expanding your Discovery system to other rooms is easy. Whether you want the full functionality of an integrated amplifier or a simple wireless speaker in the kids' room, the Discovery eco-system is ready to grow when you are.

## Specifications

### CONNECTIONS

Analog outputs (independent zones): 2  
Coaxial output (independent zone): 1 (192 khz 24-bit max)  
Optical output: 1 (192 khz 24-bit max)  
USB port (mass storage class): 1 USB 2.0  
Ethernet port: 1 gigabit ethernet

### END POINT SUPPORT

Discovery, AirPlay and Roon End Point

### CONTROL & USER INTERFACE

Roon Essentials Control app: For iOS (64-bit Devices), Android (4.4 and higher), Windows (7, 8, and 10) and Apple OSX (10.8 and higher)

### FORMAT SUPPORT

Supported Audio Formats: WAV, AIFF, FLAC, ALAC, OGG, MP3,  
AAC 192 kHz 24-Bit Audio Formats: WAV, AIFF, FLAC, ALAC  
Native Support for SPDIF/COAX: 24 kHz – 192 kHz

### PLAYBACK MODES

Gapless, Crossfade, Shuffle, and Repeat

### MULTI-ROOM SUPPORT

Type: Wired and Wireless  
Synchronized Audio: Yes

### INTEGRATED STREAMING SERVICES: TIDAL

**TRACK LIMIT: 15,000 Tracks (Combination of Personal and Tidal Library Content)**

### POWER SUPPLY & CONSUMPTION

Power Supply: 12 VDC 2A  
Power Consumption Normal Operation: 4.8 Watts

### DIMENSIONS & WEIGHT

Dimensions (WxHxD): 8-1/4" x 1-7/8" x 4-5/16"  
Weight: 2 lbs

**NOTE:** The Discovery can be controlled using the free Roon Essentials app for Windows, OS X, iOS, and Android.

### DISCLAIMERS AND LEGAL INFORMATION

Roon - Copyright 2015 Roon Labs LLC  
Tidal - Copyright 2013 Aspiro Music AS. All Rights Reserved  
ELAC - Copyright 2016 ELAC GMBH

Third party content services may be changed, suspended, interrupted, or discontinued at any time without notice, and ELAC disclaims any liability in connection with such occurrences.

iOS™ and iPhone™ are registered trademarks of Cisco Systems, Inc., USA, licensed to Apple Inc., USA.

Android™ is a registered trademark of Google Inc., USA.

## Discovery Music Server Features

### Your Music, As You Like It

Between users and across devices, you can select from downloads, ripped CDs and streaming services. Your collection is supported by a rich library of images and information—an archive of material that adds depth, knowledge and excitement to your listening.

### Audiophile Reproduction

The artists and engineers who recorded your music took great care creating it. It's no secret that Discovery takes the same care playing it back.

### It's Really Very Simple

The Discovery music server lets users control their personal music vault from another computer, Apple iPad or Android tablet. Whether your choice is a full ELAC Discovery system, AirPlay Speaker/Receiver, or Roon End Point you can listen in one room or around the house with the Discovery Music Server.

### A Wave of Music

Thanks to the power of Roon's sophisticated algorithms and support of Tidal, Discovery delivers music based on relationships between performers and composers, starting from the tracks you choose. Tidal delivers no-compromise music streaming, with millions of tracks in lossless, audiophile quality—a bigger music landscape than ever before.

\*Separate Tidal Subscription required

Preliminary information. All specifications subject to change.



ELAC AMERICAS, LLC  
11145 KNOTT AVE. SUITE E & F  
CYPRESS, CA 90630

ELAC.com

©2016 ELAC Americas LLC. All rights reserved. Specifications and design subject to modification without notice.